

■ Features & Application

1. Compact high flux density light source
2. Streamlined thermal path
3. Low voltage DC operation
4. Typical 380 lm at 5W ; view angle 130°
5. RoHS compliance
6. lighting solution

■ Absolute Maximum Ratings

(T_a=25 °C)

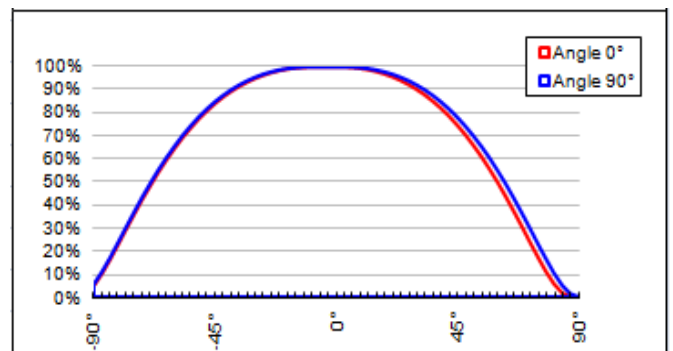
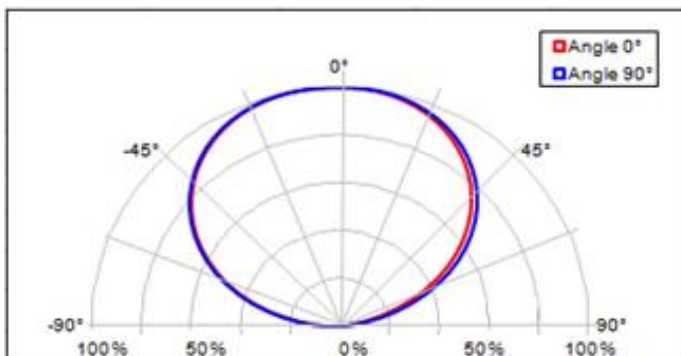
Item	Symbol	Min.	Typ.	Max.	Unit
Forward Voltage	V _f	-	6.8	7.2	V
Forward Current	I _f	-	0.7	-	A
Storage Temperature	TST	-40		85	°C

■ Electrical-Optical Characteristics

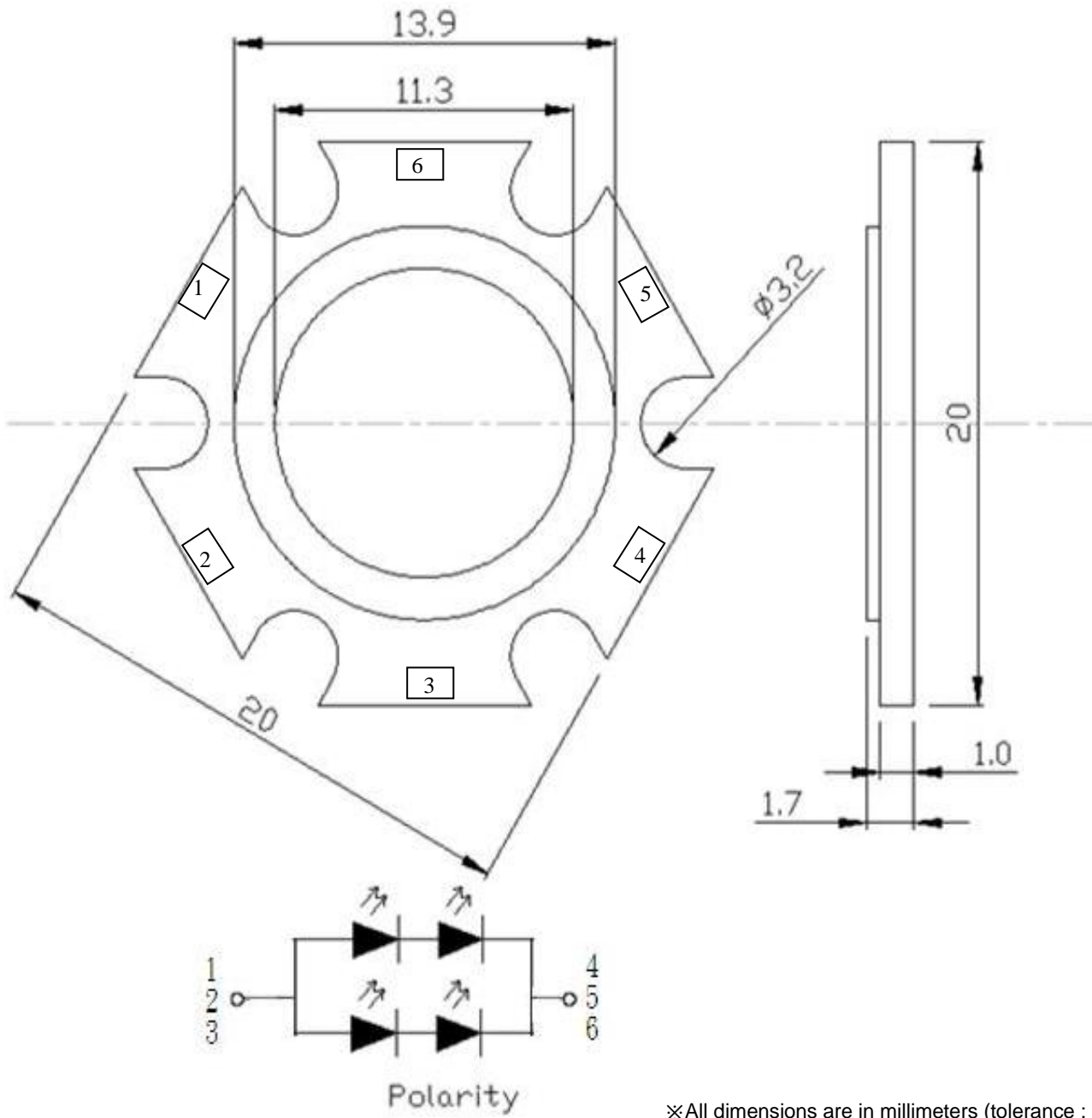
(T_a=25 °C)

Lighting Color	Material	CCT			Flux (lm)*	
		Min	Max	Typ.	Max.	
Pure White	InGaN	4500K	5500K	6500K	380	400
Warm White	InGaN	2700K	3000K	3500K	285	300

■ Typical Spatial Radiation Pattern :

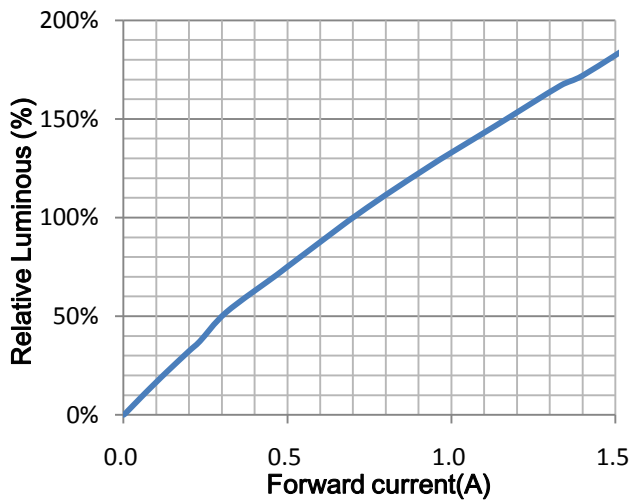
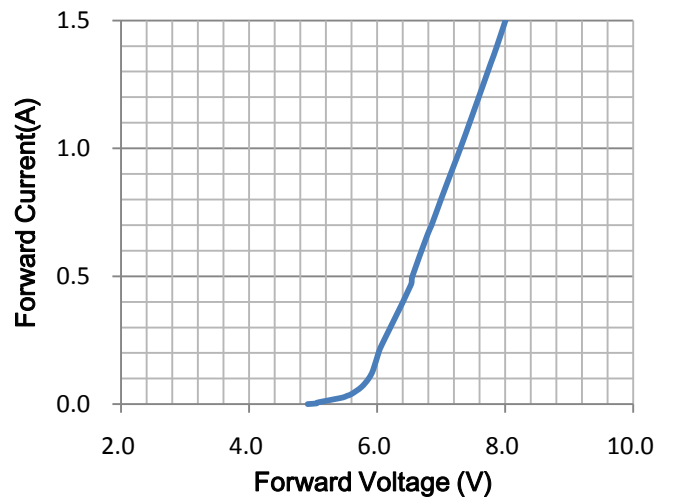
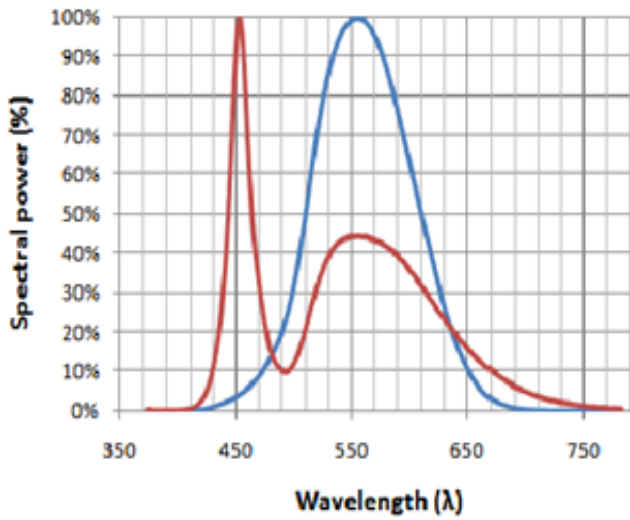


■ Package Outline Dimensions



※All dimensions are in millimeters (tolerance : ± 0.2)

■ Pure White Characteristics



Page	Subjects(major change in previous version)	Date of change	Remark
1-1	Creating	2010-06-25	ariesjill